

# powerline Slip Ring



Application: Rotate Machinery 、 pick up wire automatic

# Slip Ring Bodies

## SR 045015-03



- Voltage:
  - max 400v
- Current:
  - mA to 15A
- Slip rings:
  - Ø45 x 5.4mm,brass distance between rings 8 mm

## SR 140250-03



- Voltage:
  - max 400v
- Current:
  - mA to 250A
- Slip rings:
  - Ø140 x 22mm,brass distance between rings 46 mm

## SR 059030-03



- Voltage:
  - max 400v
- Current:
  - mA to 30A
- Slip rings:
  - Ø59 x 6.5mm,brass distance between rings 10 mm

## SR 200400-03



- Voltage:
  - max 400v
- Current:
  - mA to 400A
- Slip rings:
  - Ø200 x 22mm,brass distance between rings 40 mm

## SR 074040-03



- Voltage:
  - max 400v
- Current:
  - mA to 40A
- Slip rings:
  - Ø74 x 8mm,brass distance between rings 13 mm

## SR 074040-21



- Voltage:
  - max 400v
- Current:
  - mA to 40A
- Slip rings:
  - Ø74 x 8mm,brass distance between rings 13 mm

## SR 074060-03

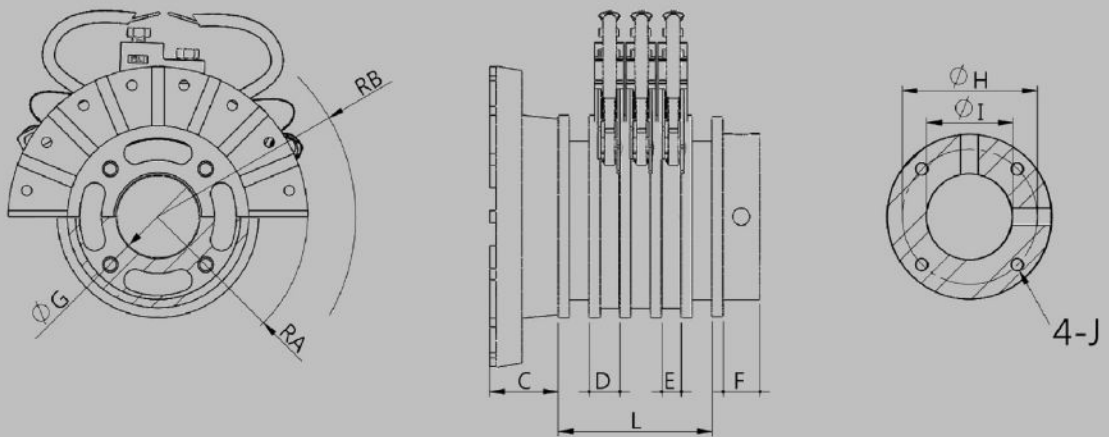


- Voltage:
  - max 400v
- Current:
  - mA to 60A
- Slip rings:
  - Ø74 x 14.2mm,brass distance between rings 19 mm

**SR 074 060 - 03**  
Slip ring Cu Dim. Amp. Phase

# Slip Ring Dimensions

B=rotate radius of body

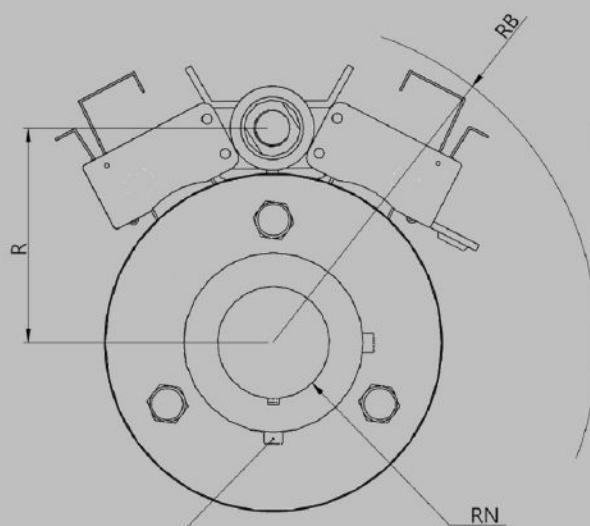


$L = (\text{number of phase} + 2) \times D$

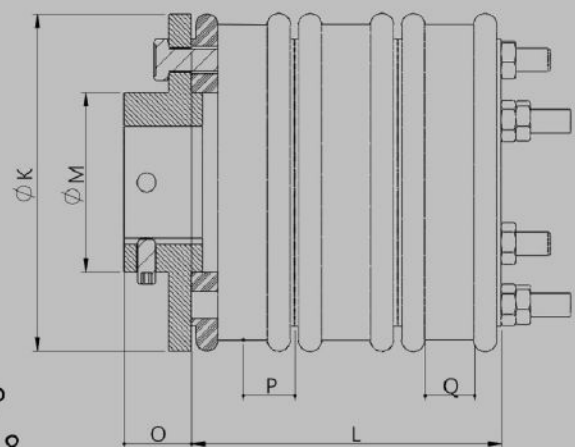
unit: mm

Code Model	A	B	C	D	E	F	G	H	I	J
SR045015	35	70	14	8	5.5	15	17	30	20	M4x0.7x15
SR059030	46	70	29	10	6.5	15	26	41	30	M5x0.8x15
SR074040	61	85	28	13	8	15	33.5	55	35	M6x1.0x15
SR074060	61	85	28	19	15	15	34	55	35	M6x1.0x15

unit: mm



B=rotate radius of body



M8 x 1.0  
 $L = \text{number of phase} \times 2P$   
 (SR200400)  $L = \text{number of phase} \times 2P + 18$

Code Model	B	K	M	N	O	P	Q	R
SR140250	150	150	80	25/30	30	23	22	110
SR200400	180	215	100	40	35	20	22	140

# Application

## Rotate Machinery



## Specialization

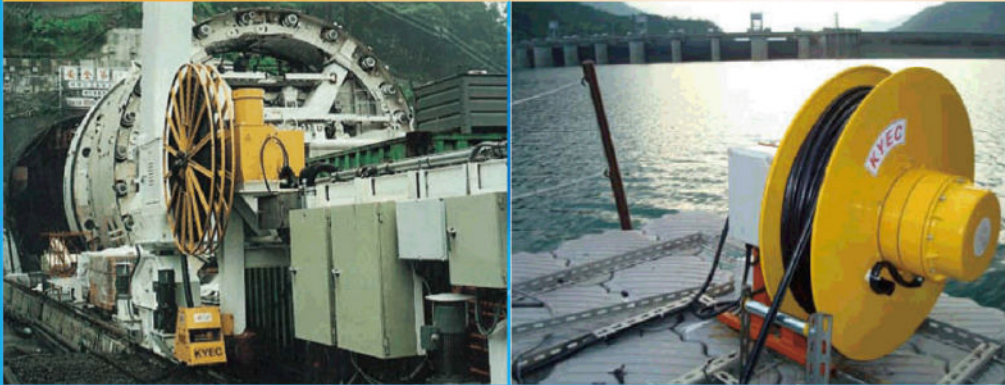


## Lamps of stage rise/down



- Master Work:  
-Taiwan's Hsuehshan Tunnel

## Pick up wire automatic



- Master Work:  
-Performance Hall of Taipei New Horizon

## Element Reference Table

NO	Item	Ex	Condition
1	Quantity of Rings	3 C	C
2	Voltage	220V/60Hz	V/Hz
3	Current	30A	A
4	Speed	10 rpm	Rpm
5	Situation	+30 °C	°C
6	Space D*H	180mm*200	
7	Quantity	1pcs	Pcs
8	Type	SR074040-03	
9	Need Time	Date	

 powerline

